



ALTV615DCUL Series CCTV Power Supplies

Installation Guide

Models Include:

- ***ALTV615DC44ULM***
 - *6-15VDC @ 4 amp*
 - *Four (4) Fuse Protected Outputs.*
- ***ALTV615DC48ULM***
 - *6-15VDC @ 4 amp*
 - *Eight (8) Fuse Protected Outputs.*
- ***ALTV615DC416UL***
 - *6-15VDC @ 4 amp*
 - *Sixteen (16) Fuse Protected Outputs.*
- ***ALTV615DC616UL***
 - *6-15VDC @ 6 amp*
 - *Sixteen (16) Fuse Protected Outputs.*
- ***ALTV615DC44UCBM***
 - *6-15VDC @ 4 amp*
 - *Four (4) PTC Protected Outputs.*
- ***ALTV615DC48UCBM***
 - *6-15VDC @ 4 amp*
 - *Eight (8) PTC Protected Outputs.*
- ***ALTV615DC416UCB***
 - *6-15VDC @ 4 amp*
 - *Sixteen (16) PTC Protected Outputs.*
- ***ALTV615DC616UCB***
 - *6-15VDC @ 6 amp*
 - *Sixteen (16) PTC Protected Outputs.*
- ***ALTV615DC416UBM****
 - *6-15VDC @ 4 amp*
 - *Sixteen (16) PTC Protected Outputs.*

* Same except for enclosure size

For models with line cord installed : For 3-wire add suffix "3" e.g. ALTV615DC44ULM3.



Overview:

These Altronix DC CCTV Power Supplies provide 6-15VDC distributed via fuse or PTC protected outputs for powering CCTV Cameras, heaters and other video accessories.

ALTV615DCUL Reference Chart:

Altronix Model Number	Total Output Current (Power)	Output Voltage	Number of Outputs	PTC Protected Outputs	Class 2 Rated Power Limited	Fuse Protected Outputs	Output Current (max per output)	115VAC 50/60Hz Input Current
ALTV615DC44ULM	4 amp	6-15VDC	4	-	x	x	3.5 amp	0.9 amp
ALTV615DC44UCBM	4 amp	6-15VDC	4	x	x	-	2.5 amp	0.9 amp
ALTV615DC48ULM	4 amp	6-15VDC	8	-	x	x	3.5 amp	0.9 amp
ALTV615DC48UCBM	4 amp	6-15VDC	8	x	x	-	2.5 amp	0.9 amp
ALTV615DC416UL	4 amp	6-15VDC	16	-	x	x	3.5 amp	0.9 amp
ALTV615DC416UCB	4 amp	6-15VDC	16	x	x	-	2.5 amp	0.9 amp
ALTV615DC616UL	6 amp	6-15VDC	16	-	-	x	3.5 amp	1.5 amp
ALTV615DC616UCB	6 amp	6-15VDC	16	x	x	-	2.5 amp	1.5 amp
ALTV615DC416UBM*	4 amp	6-15VDC	16	x	x	-	2.5 amp	0.9 amp

* Same except for enclosure size.

Specifications:

- UL Listed for Commercial CCTV Equipment (UL 2044). CUL Listed - CSA Standard C22.2 No.1-98, Audio, Video and Similar Equipment.
- Four (4), eight (8), or sixteen (16) individual outputs.
- Filtered and electronically regulated outputs.
- Short circuit and thermal overload protection.
- Unit maintains camera synchronization.
- Ease of installation saves time & eliminates costly labor.
- Spare fuses included (on fuse protected models).

Enclosure Dimensions:

ALTV615DC44ULM, ALTV615DC44UCBM, ALTV615DC48ULM, ALTV615DC48UCBM, and ALTV615DC416UBM: 8.5”H x 7.5”W x 3.75”D
 All other models: 13”H x 13.5”W x 3.25”D

Caution: This installation should be made by qualified service personnel and should conform to all local codes and in accordance with the National Electrical Code.

Installation Instructions:

1. Mount unit in desired location.
2. Remove Power Distribution Module and isolation barrier (models with “M” suffix only).
3. Connect AC power to the two black and two white flying leads of the transformer (Figs. 1-4, pgs. 4-6).

Units with linecord installed skip Instruction #3.

Use 18 AWG or larger for all power connections. Connect green ground lead to earth ground (Fig. 1-4, pgs. 4-6).

Keep power limited wiring separate from non-power limited wiring. Minimum .25” spacing must be provided. Use separate knockouts.

4. Adjust output voltage (unit is factory set at 12VDC): use the trimpot on the power supply board prior to connecting CCTV devices.
5. Measure output voltage before connecting devices. This helps avoid potential damage.
CAUTION: Determine the maximum operating voltage of the equipment being powered before adjusting the output voltage.
6. Reinstall isolation barrier and Power Distribution Module (models with “M” suffix only).

7. Connect devices to terminals marked [1P - 1N through 4P - 4N] on PD4/PD4CB board, [1P - 1N through 8P - 8N] on PD8/PD8CB, [1P - 1N through 16P - 16N] on PD16W/PD16WCB/PD16CB board, carefully observing correct polarity (*Figs. 1-4, pgs. 4-6*).
Terminals marked [1P - 16P] are positive (+) and terminals marked [1N - 16N] are negative.
8. Green LED will illuminate when unit is powered.
9. Upon completion of wiring, secure enclosure door with screws (supplied).

WARNING: To reduce the risk of fire or electric shock, do not expose the unit to rain or moisture.

Terminal Identification:

Power Supply Board

Terminal Legend	Function/Description
AC/AC	Low voltage AC input.
+ DC -	6VDC-15VDC output.

PD4UL/PD4ULCB - Distribution Module

1P - 4P	Positive DC outputs.
1N - 4N	Negative DC outputs.

PD8UL/PD8ULCB - Distribution Module

1P - 8P	Positive DC outputs.
1N - 8N	Negative DC outputs.

PD16W/PD16WCB/PD16CB - Distribution Module

1P - 16P	Positive DC outputs.
1N - 16N	Negative DC outputs.



The lightning flash with arrow head symbol within an equilateral triangle is intended to alert the user to the presence of an insulated “DANGEROUS VOLTAGE” within the products enclosure that may be of sufficient magnitude to constitute an electric shock.



The exclamation point within an equilateral triangle is intended to alert the user to the presence of important operating and maintenance (servicing) instructions in the literature accompanying the appliance.



CAUTION
RISK OF ELECTRIC SHOCK
DO NOT OPEN



CAUTION: To reduce the risk of electric shock do not open enclosure. There are no user serviceable parts inside. Refer servicing to qualified service personnel.

Fig. 1

ALTV615DC44ULM • ALTV615DC44UCBM

CAUTION: De-energize unit prior to servicing. For continued protection against fire hazard replace fuse with the same type and rating 3.5A, 250V. Do not expose unit to rain or moisture.

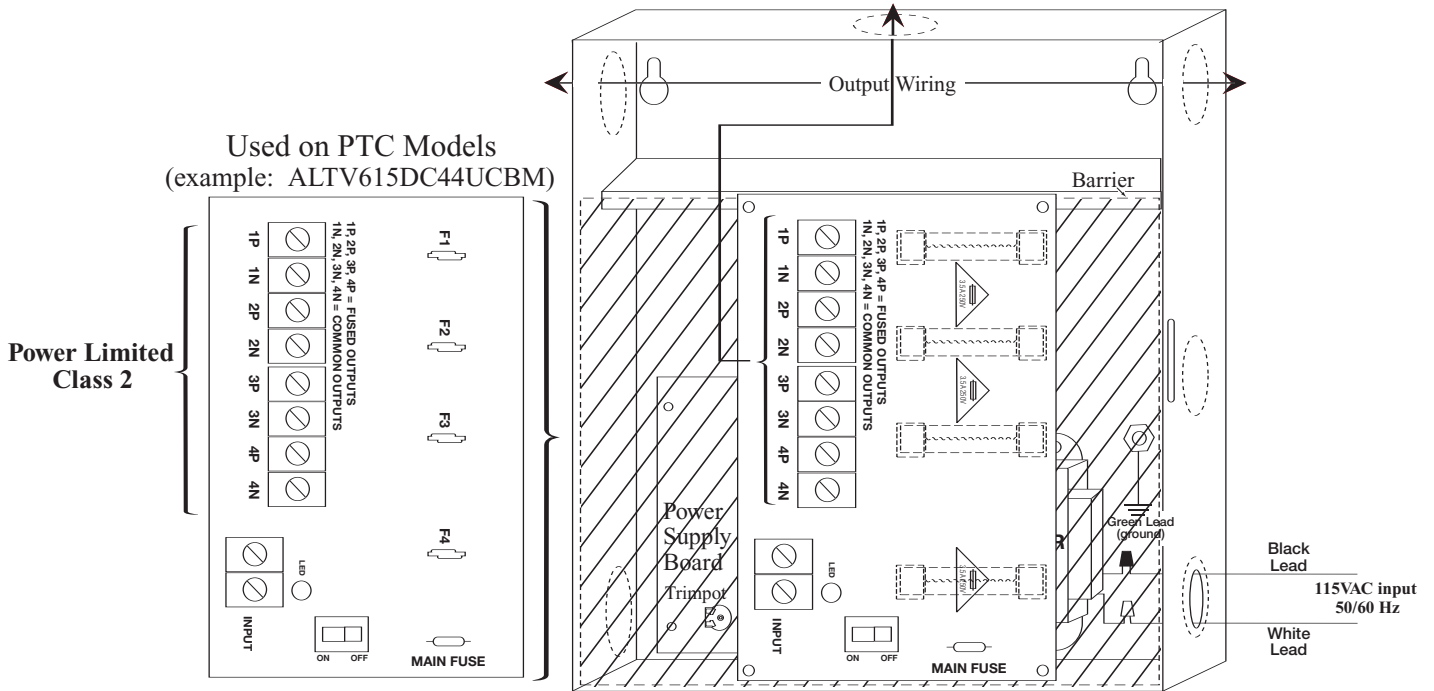


Fig. 2

ALTV615DC48ULM • ALTV615DC48UCBM

CAUTION: De-energize unit prior to servicing. For continued protection against fire hazard replace fuse with the same type and rating 3.5A, 250V. Do not expose unit to rain or moisture.

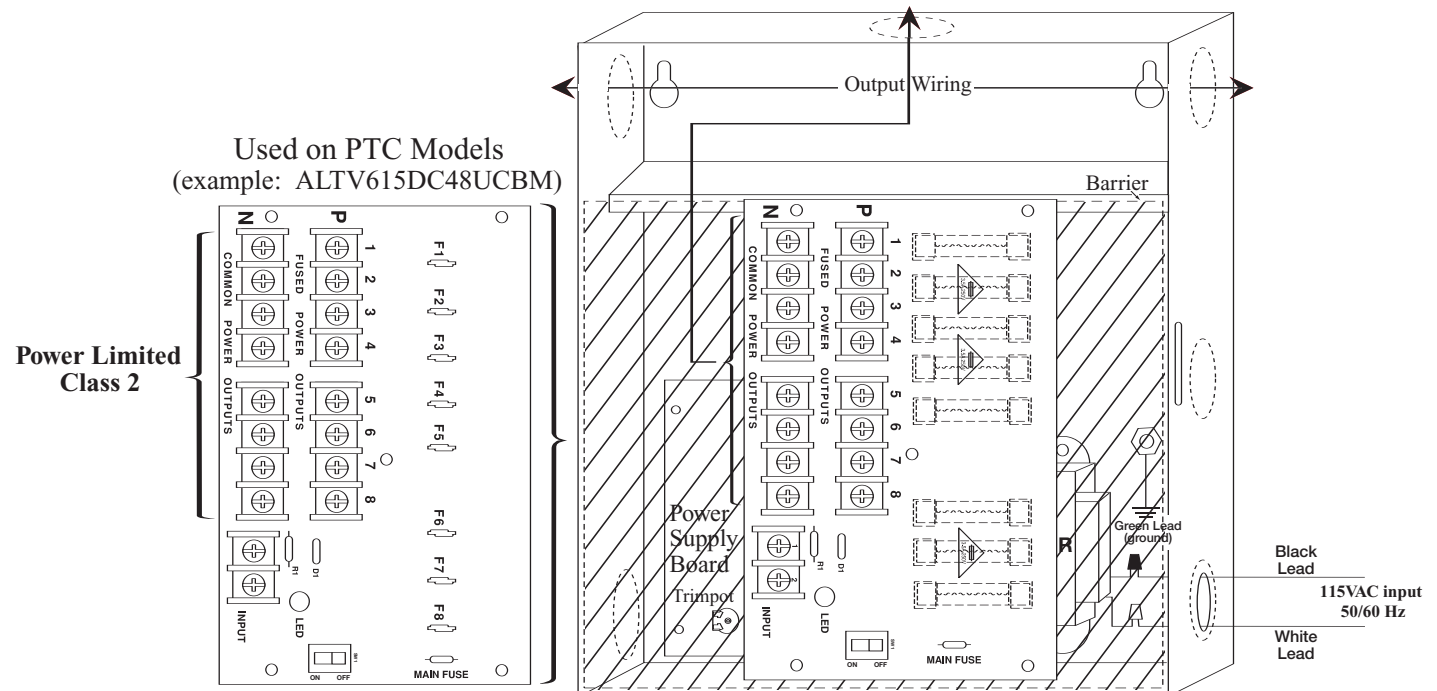
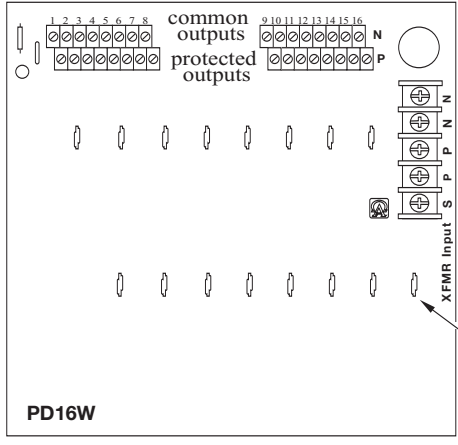
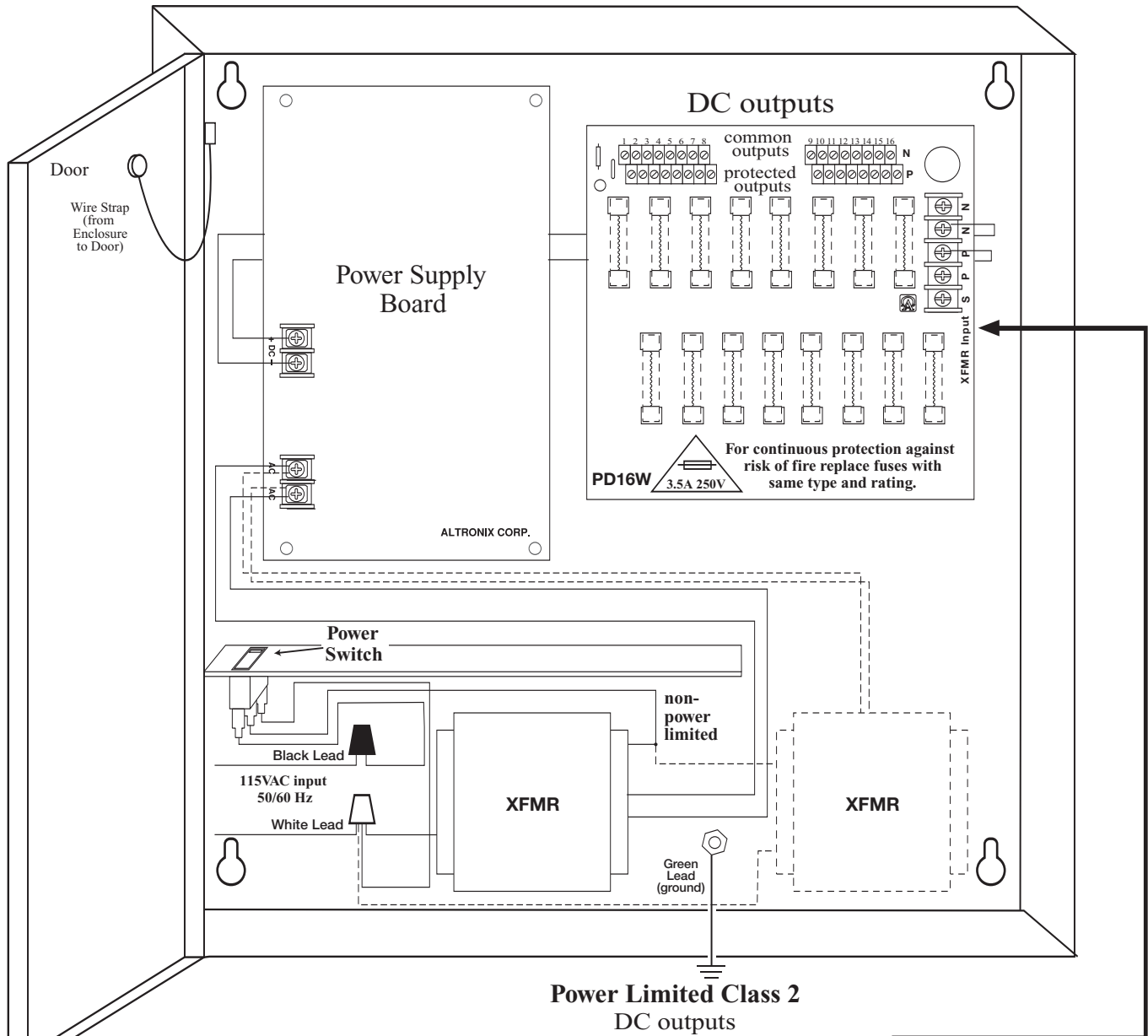


Fig. 3

ALTV615DC416UL • ALTV615DC416UCB • ALTV615DC616UL • ALTV615DC616UCB

CAUTION: De-energize unit prior to servicing. For continued protection against fire hazard replace fuse with the same type and rating 3.5A, 250V. Do not expose unit to rain or moisture.

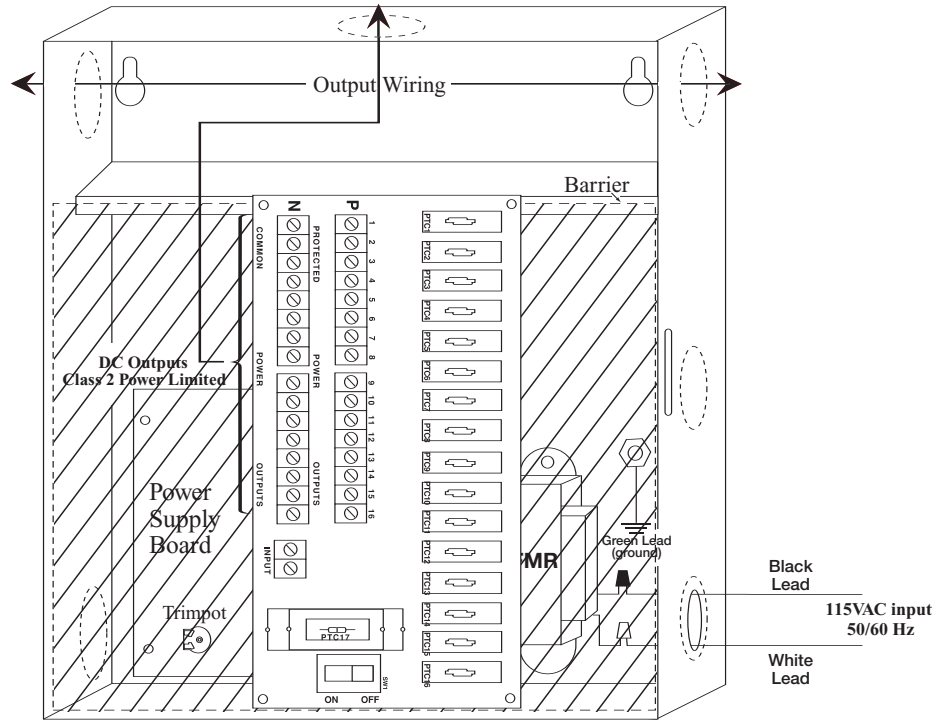


Used on PTC Models
(example: ALTV615DC416CB)

PTC's

Fig. 4
ALTV615DC416UBM

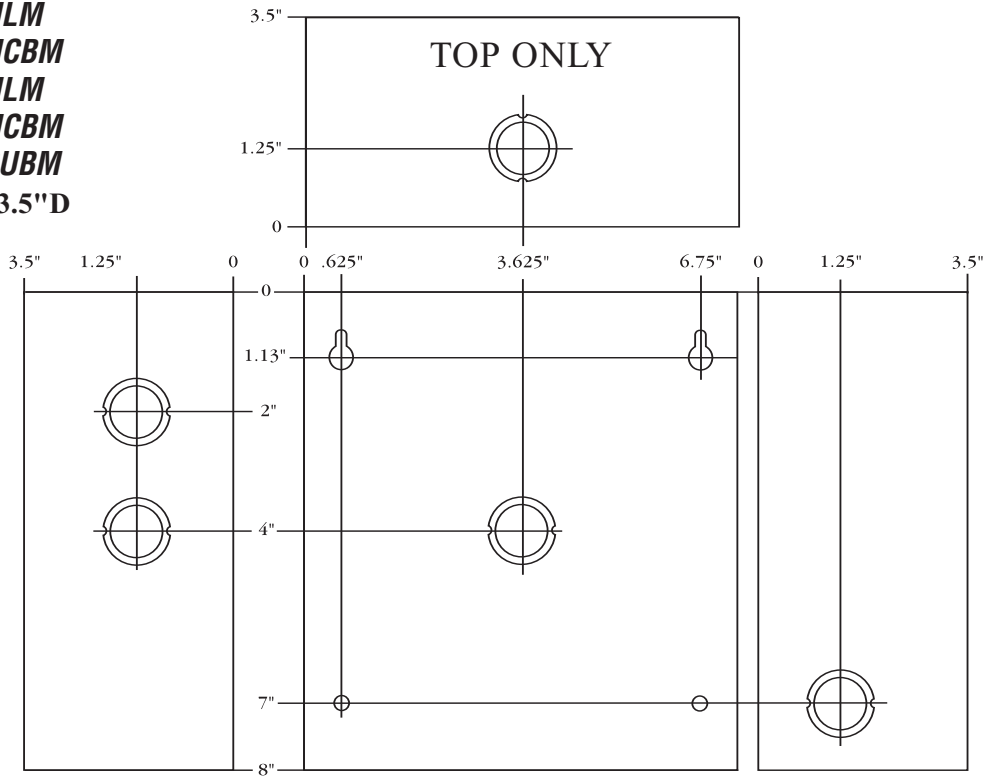
CAUTION: De-energize unit prior to servicing. Do not expose unit to rain or moisture.



Enclosure Dimensions for:

- ALTV615DC44ULM
- ALTV615DC44UCBM
- ALTV615DC48ULM
- ALTV615DC48UCBM
- ALTV615DC416UBM

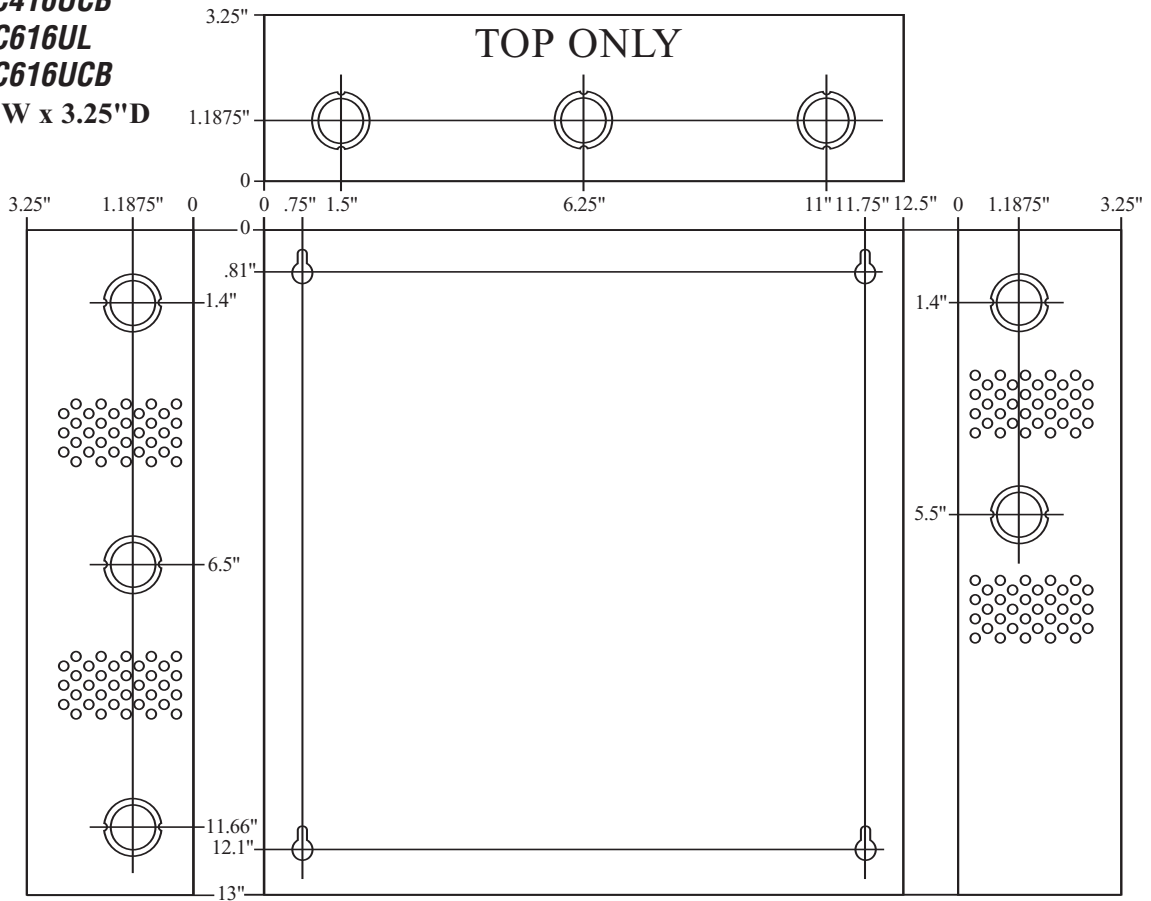
8.5"H x 7.5"W x 3.5"D



Enclosure Dimensions for:

- ALTV615DC416UL
- ALTV615DC416UCB
- ALTV615DC616UL
- ALTV615DC616UCB

13"H x 13.5"W x 3.25"D



Notes:

Altronix is not responsible for any typographical errors.

Altronix Corp.
140 58th Street, Brooklyn, New York 11220 USA, 718-567-8181, fax: 718-567-9056
web site: www.altronix.com, e-mail: info@altronix.com, Lifetime Warranty, Made in U.S.A.
II1ALT V615DCUL Series I30E

